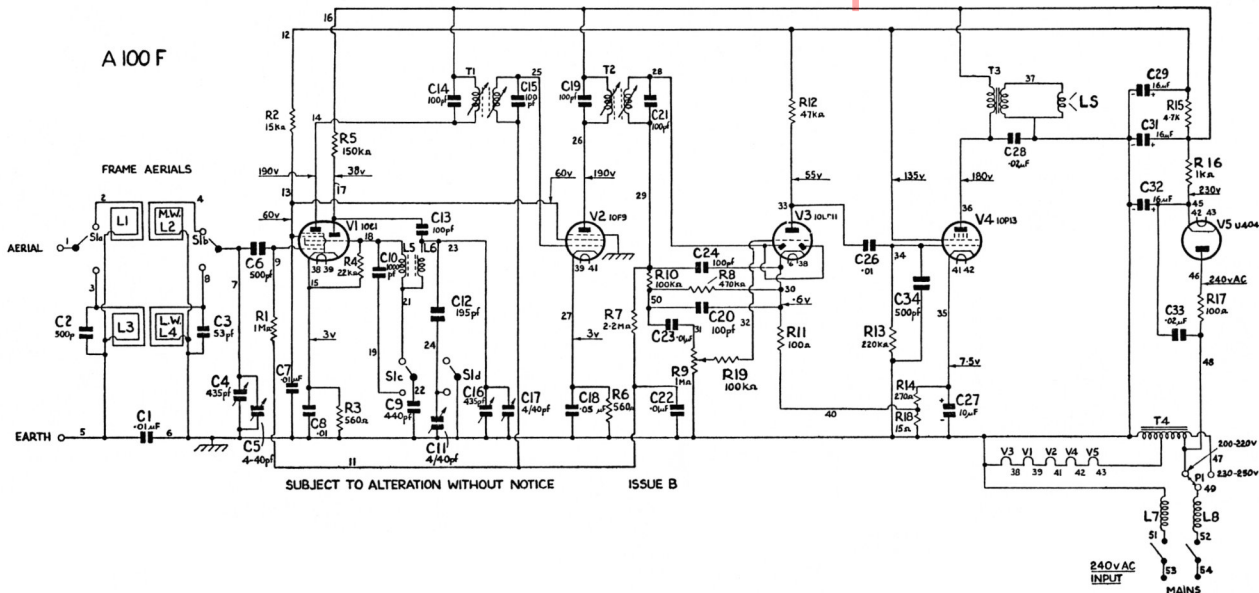


# A100F RECEIVER

## SUPPLEMENTARY SERVICE INSTRUCTIONS

www.radio-workshop.co.uk

For use in conjunction with A100 Service Instructions



Approximate resistances of changed and additional coils:

M.W. Frame Aerial, coupling (L1) approx. one ohm, tuned winding (L2) less than one ohm, L.W. Frame Aerial, coupling coil (L3) 35 ohms, tuned winding (L4) 20 ohms; Mains Filter Coils (L7 and L8) 5-7 ohms each.

For layout and further information, see back of sheet.

Issued by

## MURPHY RADIO LTD, WELWYN GARDEN CITY, HERTS.