

www.radio-workshop.co.uk

Garrard

401

GARRARD

MODEL 401

TRANSCRIPTION TURNTABLE

Instruction Manual

As the owner of this Garrard Model 401 Transcription Turntable you have a product supreme in its class which will maintain its high standard of performance throughout many years of use, with the minimum of attention. This manual will help you to operate and take care of your Model 401 but, if you require any further advice, please do not hesitate to contact your Garrard Agent, or our Technical Service Department at Kembrey Street, Swindon, Wiltshire, Telephone Number Swindon (0793) 6211. Telex 44180.

This Manual is supplied with Model 401, Serial No. 39647



THE GARRARD MODEL 401 TRANSCRIPTION TURNTABLE

contents

| | |
|---------|--------------------------|
| page 4 | general information |
| page 5 | technical specifications |
| page 6 | operation |
| page 7 | maintenance |
| page 8 | adjustments |
| page 11 | installation |
| page 14 | servicing |
| page 15 | spare parts, diagrams |
| page 17 | spare parts list |

general information

The Garrard Model 401 is the culmination of half a century of experience in the design and manufacture of high quality record playing equipment and has the elegant appearance characteristic of the best British engineering products.

The superlative performance of this model is achieved by such features as a heavy, balanced turntable with a robust, super-finished spindle and a sturdy intermediate driving wheel.

Each speed can be set precisely by means of a special eddy current braking system and stroboscopic markings on the turntable illuminated by a high-intensity neon lamp.

Every Model 401 is supplied complete with a set of fixing screws, an adaptor for playing records with $1\frac{1}{2}$ in (38 mm) centre holes, lubricating oil, a mounting template, an individual test report and full instructions.

Turntable:

Diecast aluminium with an anti-static rubber mat and stroboscopic engraving on rim for 33½, 45 and 78 rev/min at 50 c/s. A version for 60 c/s is also available. It is accurately balanced, has a diameter of 12 in (305 mm) and weighs approximately 6 lb (2.5 Kg).

Base Plate:

Diecast aluminium, ribbed for rigidity.

Motor:

Shaded-pole induction type, magnetically screened by a heavy cast-iron case and suspended on 6 tensioned springs. The rotor is dynamically balanced within exceptionally close limits.

Voltage:

Dual range—110/125 and 220/250 volts a.c. A separate neon lamp is required for each range.

Frequency:

50 or 60 c/s, dependant on the motor pulley and turntable fitted. Alternative pulley and turntable available.

Power Consumption:

Approximately 12 watts.

Wow:

Less than 0.08% r.m.s.

Flutter:

Less than 0.04% r.m.s.

Rumble:

Negligible.

Insulation:

Tested at 1500 volts a.c. for one minute between motor windings and frame and at 500 volts d.c. with an insulation test meter when a resistance greater than 20 Megohms must be registered.

Motor Switch:

Double-pole, fitted with a switch click suppressor across each pole.

Speed Ranges:

31.9 to 34.6, 43.2 to 46.8 and 75 to 81 rev/min. approximately.

Size:

14⅞ in (371 mm) from back to front; 13¾ in (349 mm) wide; 2 in (51 mm) above and 3⅛ in (100 mm) below underside of base plate.

Weight:

17½ lb (7.9 Kg).

Measured with Gaumont Kalee Type 1740 meter with 3000 c/s constant frequency record at 33½, 45 and 78 rev/min.

Referring to Diagram 1.

- (1) Place a record on the turntable.
- (2) Turn the speed selector to the setting appropriate for the record to be played, or check that this has already been done.
- (3) Turn the motor switch control clockwise to start the turntable. This operation also switches on the indicator lamp.
- (4) To set speed accurately, place a record on the turntable and switch on, as already described. Place pickup on record and turn the speed adjuster until the stroboscopic markings on the rim of the turntable, appropriate to the speed for which you are setting, appear to remain stationary. The lower marking represents $33\frac{1}{3}$ rev/min., the centre one 45 rev/min. and the upper one 78 rev/min.

For highly accurate work, it is desirable to let the motor run for approximately 10 minutes so that it may reach its normal operating temperature. Speed should always be re-checked after changing the speed range.

To protect the intermediate wheel, the speed selector is interlocked with the motor switch and cannot be operated unless the motor is switched off.

Do not hold the turntable stationary whilst the motor is switched on and never disconnect the power supply until the motor has been switched off.

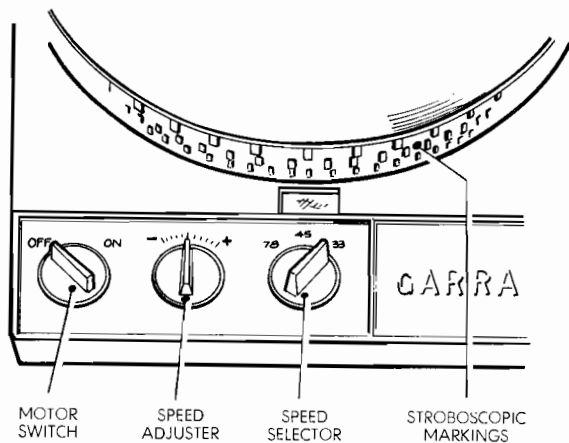


Diagram 1

The bearings of the motor, intermediate wheel and turntable spindle are of the oil-retaining type and rarely need lubrication. When the need for oil becomes apparent, lift off the turntable and lubricate these bearings sparingly with the oil supplied. The motor must be switched off before removing the turntable or replacing it on its spindle. If any difficulty is experienced in removing the turntable an assistant should give the spindle top a downward tap with a small piece of wood, such as the handle of a screwdriver, whilst the turntable is being lifted.

The top bearing of the Motor can be reached through one of the holes in the aluminium brake disc, see Diagram 2.

The top bearing of the Intermediate Wheel should have one drop of oil only applied to it.

The bearings of the Turntable Spindle are lubricated by saturating the felt pad surrounding the spindle and by removing the screw from the top of the housing to apply a few drops of oil through the hole then revealed.

After lubrication, it is essential to remove every trace of oil from the motor pulley, intermediate wheel and the inside of the turntable rim.

Further points for periodical attention are the periphery of the intermediate wheel which must be kept clean by wiping it with a clean, dry cloth, the lever pivots on the underside of the base plate which should be lightly oiled and the sliding surfaces which should be smeared with a light grease.

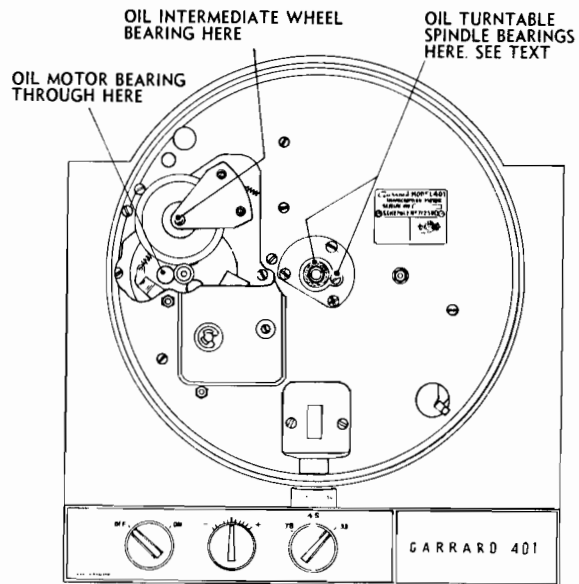


Diagram 2

The Model 401 has been designed to give reliable service over long periods of use. These instructions have been included to enable you to make the few minor adjustments which may become necessary after a prolonged period.

Turntable Speed

When set to $33\frac{1}{2}$ rev/min. with the pointer of the speed adjuster central, the lower stroboscopic turntable markings should appear to remain stationary when viewed in the light of the neon lamp. If this is not the case, remove the turntable, insert a suitable screwdriver through the small hole in the base plate and turn the speed adjustment screw C on Diagram 3, slightly clockwise if the speed is high and counterclockwise if it is low. Having made this adjustment, the other two speeds should also be correct within close limits.

If the speed adjuster does not enable the correct speed to be set check that the position of the intermediate wheel is that specified under the heading 'Intermediate Wheel'. Should this be satisfactory and turntable speed is too high, slacken the large nut on the underside of the lug attached to the motor casting and which locks the magnet carrier pivot. Then, inserting a screwdriver into the slot at the lower end of the pivot A, situated on the left of the screw mentioned in the previous paragraph, turn the pivot a fraction of a turn in a counterclockwise direction. If the speed is too low turn the pivot in a clockwise direction. Always re-tighten the nut after making an adjustment.

If, when using the speed adjuster control, there is difficulty in obtaining 'fast' turntable speed, an alternative motor pulley, identified by a red spot, is available to increase 'fast' speed range.

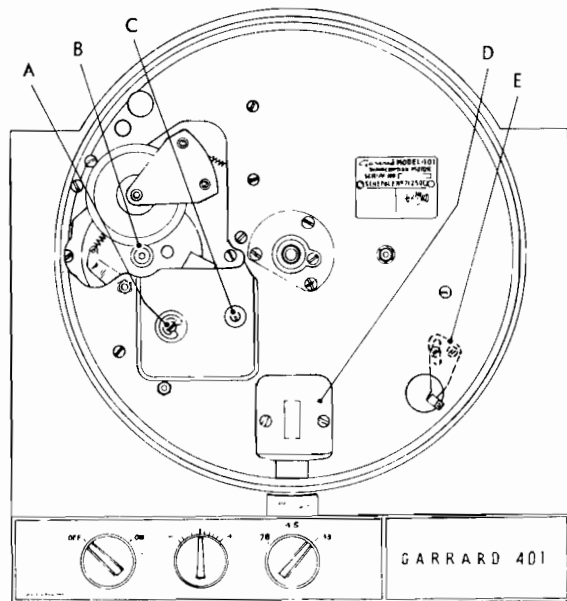


Diagram 3

Intermediate Wheel

The height of this rubber-tyred wheel in relation to the motor pulley should be such that there is about $\frac{1}{2}$ in (1 mm) clearance between the tyre and an adjacent pulley step at any speed setting. If there is not, slacken the three screws at the top of the motor pulley B and raise or lower the pulley before re-tightening the screws equally.

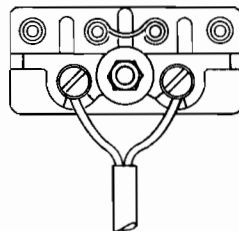
Turntable Brake

This will bring the turntable to rest within 2 or 3 revolutions of switching off. If it continues to turn for a longer period slacken both screws holding the brake pad lever E, on the underside of the base plate, move the lever outwards slightly, then re-tighten the screws. The action of the switch will be impeded if the brake is set too far out.

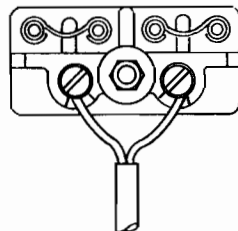
Power Supply Voltage Range

If this is altered, say from 220/250 volts to 110/125 volts, the two following adjustments will be required.

- (1) After disconnecting the power supply and removing the voltage changeover and connecting block cover, alter the positions of the wire links in accordance with Diagram 4.
- (2) With the supply still disconnected, remove the neon lamp below cover D, as instructed in the Installation section, and fit a suitable replacement which is available from our Spares Department. The reference numbers of both lamps are shown in the spares list at the end of this manual.



LINKS SET FOR
220/250 VOLTS



LINKS SET FOR
110/125 VOLTS

Diagram 4

Power Supply Frequency

If this is altered, say from 50 c/s to 60 c/s, it will be necessary to fit the alternative motor pulley and turntable, both of which are available from our Spares Department and referred to in the spares list at the end of this manual.

To fit the pulley, remove the turntable, slacken the three small screws at the bottom of the stepped pulley and lift the pulley off the motor spindle. Do not confuse this collar with that on the aluminium brake disc below the pulley. Fit the replacement pulley after checking its identification; brass for 60 c/s and partial nickel plate for 50 c/s, then after checking its position re-tighten the three screws equally. The operating frequency for the stroboscopic marking on the turntable, in cycles per second, is stamped on its underside. This will be either 50 or 60.

Finally it will probably be necessary to make the adjustments mentioned under the heading 'Turntable Speed'.

Model 401 Neon Lamp

Note that Model 401 may be fitted with a neon lamp other than that referred to in the text, line diagrams and parts list of this booklet. This lamp is fitted across the front of the unit, illuminating the stroboscopic turntable directly, as in the photograph on page 3 and it is wired so that it is suitable for both 110/125 and 220/250 AC voltage ranges. See page 20.

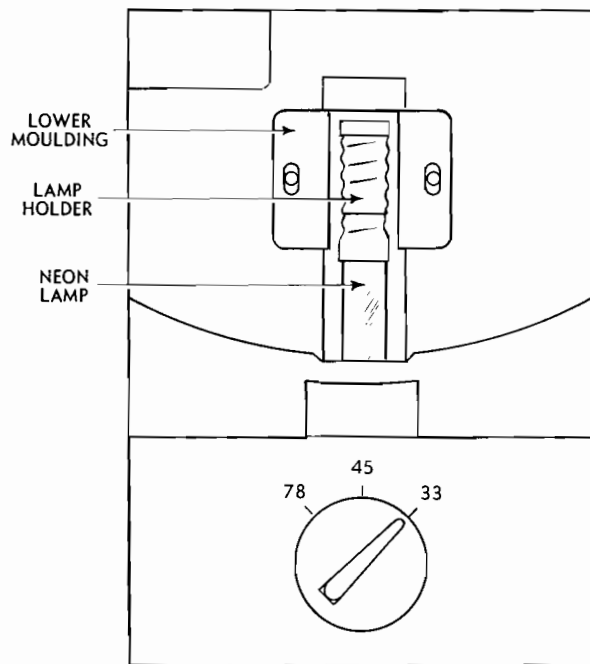


Diagram 5

The Model 401 should be mounted on a board at least $\frac{1}{2}$ in (13 mm) thick, or a substantial metal plate, which is also large enough to accommodate the chosen pickup arm. The board or plate must be cut and drilled in accordance with the instructions on the template supplied or, if preferred, with the dimensions on Diagram 8. When the board or plate has been cut, take off the nut holding the cover of the connecting block shown on Diagram 7, remove the cover and attach one end of a power supply to the screwed terminals as shown on Diagram 4 securing it by means of the adjacent clip; then check that the wire links are in the correct position for the power supply voltage and replace the cover. Solder a lead for earthing purposes to the tag, shown on Diagram 7, then screw the four fixing studs into the base plate, at the place shown on the same diagram and the three other corresponding holes in the base plate, until the spring clips stop them.

The leads are then passed through the cut-out in the mounting board from the top and the base plate secured to the board by means of the four studs, in the manner shown on Diagram 6.

Release both Transit Screws completely before fitting the Turntable. These have red heads for identification and tighten the clamping plate which secures the motor to its yoke for protection during transit. They are released by turning them fully counterclockwise using a screwdriver. Re-tighten the screws before transporting the unit at any future time.

Take out both screws holding the cover of the neon lamp to the top of the base plate then detach the cover being

careful to retain the spring washers beneath the screw heads. Referring to Diagram 5, move the lower moulding backwards, towards the turntable spindle until it can be lifted clear of the base plate complete with the neon lamp in its holder. Do not lift it so far that the leads to the lamp holder are strained. Unscrew the lamp from its holder, check that the voltage range marked on its metal cap is correct for the power supply. Re-assemble in the reverse order taking care to avoid over-tightening the screws holding the lower moulding and its cover to the base plate. Finally, connect to the power supply and to a good earth.

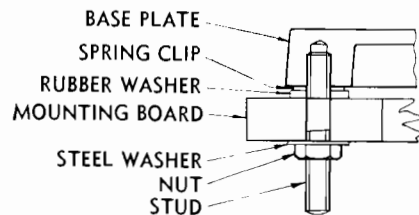
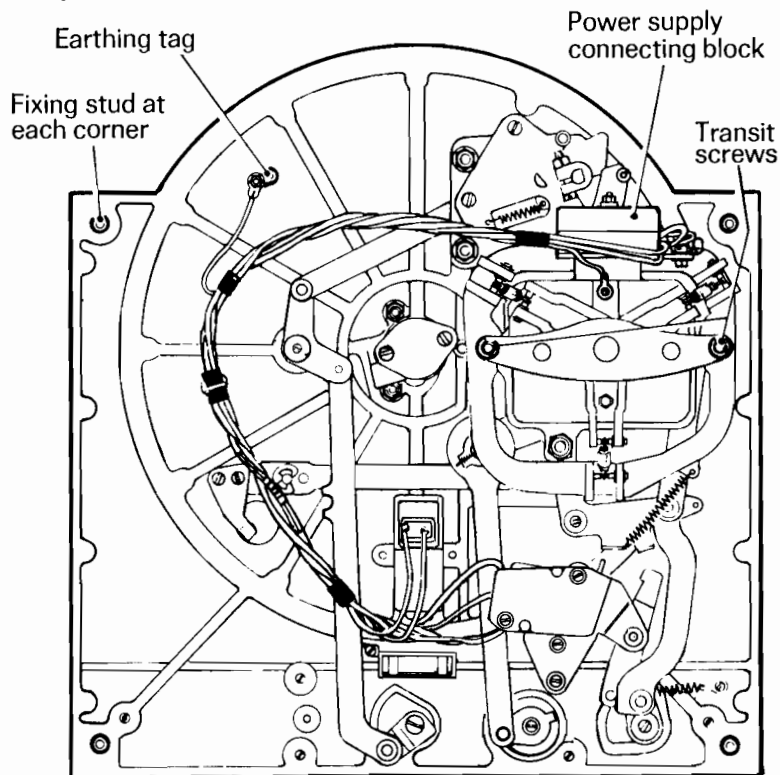
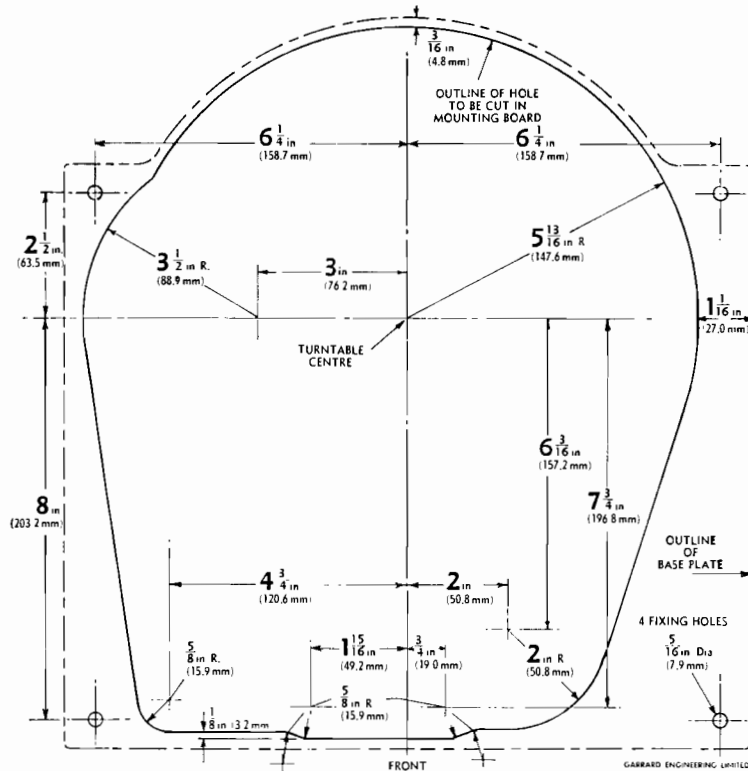


Diagram 6



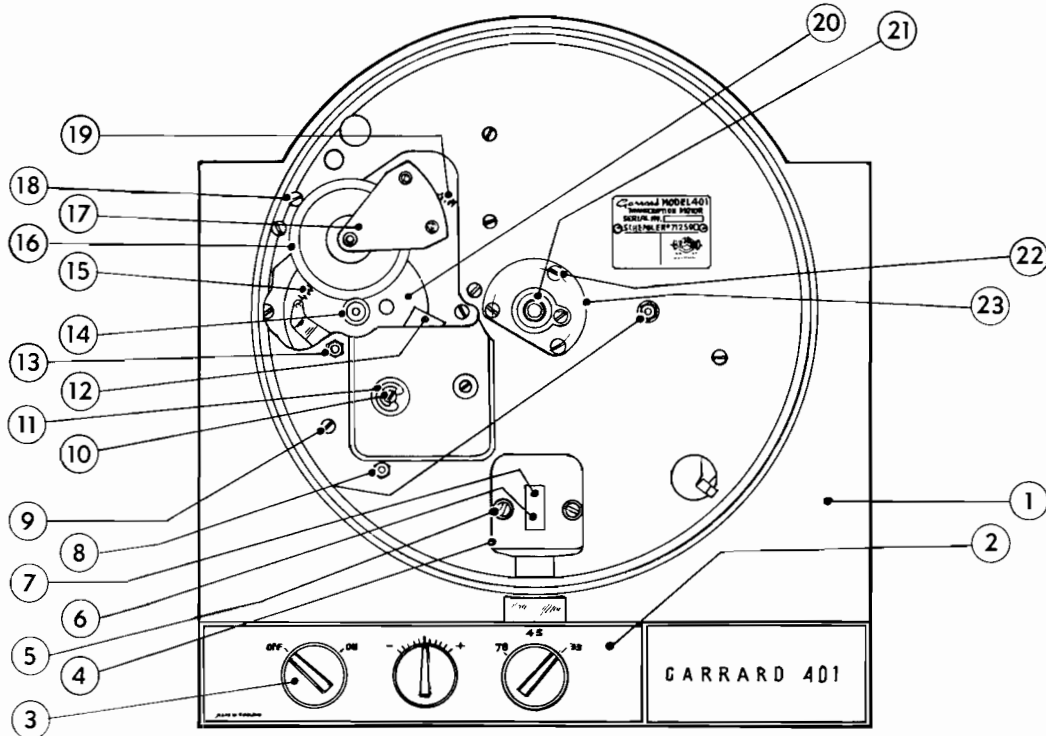
View from below Base Plate. (See previous page.) Diagram 7



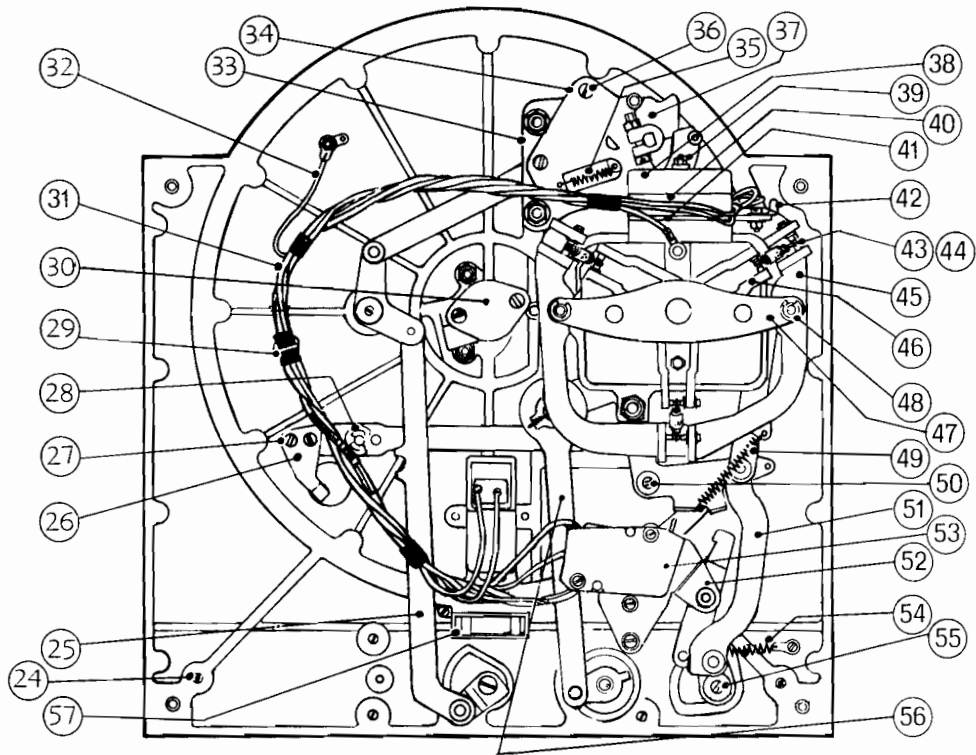
Reduced Template for Mounting Board. Diagram 8

N.B.: The power supply should be disconnected for all servicing except voltage check. Numbers in brackets correspond to those on Diagrams 9 and 10.

| Fault | Cause | Action |
|--|---|---|
| Turntable fails to re- volve. | <ol style="list-style-type: none"> 1. No power supply reaching motor. 2. Discontinuity of motor coil winding(s). 3. Intermediate wheel tension spring (15) stretched or detached. | <p>Check supply with voltmeter. If correct, check action of motor switch (52), tightness of wire links (40) and all connections.</p> <p>Check resistance with ohm-meter. Connected for 220/250 volts, reading should be approximately 400 ohms and for 110/125 volts, approximately 100 ohms. Replace coil(s) if necessary.</p> <p>Replace or re-secure spring.</p> |
| Turntable speed too fast or slow for cor- rection by speed con- trol. | <ol style="list-style-type: none"> 1. Incorrect motor pulley (14) for power supply frequency. 2. Wire links (40) set incorrectly for power supply voltage. | <p>Check pulley's identification: partially nickel plated 50 c/s, brass 60 c/s. Replace if necessary.</p> <p>Check against diagram on cover of change-over block or Diagram 4.</p> |
| Turntable speed varies with audible effect. (Wow or Flutter) | <ol style="list-style-type: none"> 1. Driving surfaces of motor pulley (14), intermediate wheel (16) and/or turntable contaminated with lubricant. 2. Intermediate wheel (16) height incorrect. 3. Loose nut on magnet carrier (10). | <p>Wipe surfaces with a clean dry cloth.</p> <p>See 'Adjustments' page 8. Tighten nut.</p> |
| Rumbling sound through speaker(s). | <ol style="list-style-type: none"> 1. Power supply lead too heavy or pulled tight. 2. Intermediate wheel (16) height incorrect. 3. Motor transit screws (48) not released. | <p>Replace or re-route lead.</p> <p>See 'Adjustments' page 8. Release screws. See Installation, page 11.</p> |



View from above Base Plate, with Turntable removed. Diagram 9



View from below Base Plate. Diagram 10

| Ref. No. | Garrard Part No. | Description of Part | Ref. No. | Garrard Part No. | Description of Part |
|-----------------|-------------------------|--|-----------------|-------------------------|--|
| 1 | 71510 | Base Plate | 13 | 40085 | Screw, short, for Lever Pivot |
| 2 | 71902 | Control Plate with Panel | | 41012 | Nut |
| | 71269 | Control Panel only | | 42501 | Spring Washer |
| 3 | 71505 | Controls (3) | | 71319 | Pivot Bush |
| 4 | 71277 | Neon Lamp Housing | | 40946 | Pivot Washer |
| | 71276 | Cover for Lamp Housing | 14 | 71274 | Motor Pulley, 50 c/s (Partially nickel plated) |
| 5 | 40023 | Screws, fixing Housing (2) | | 71670 | Motor Pulley, 60 c/s (Brass) |
| | 42501 | Spring Washers (2) | | 72090 | Collar, for Pulley, with Screws |
| | 40501 | Plain Washers (2) | | 71346 | Screws, for Collar (3) |
| 6 | 71345 | Neon Lamp Holder, below Cover | | 41792 | Tension Spring, for Intermediate Wheel |
| 7 | 71329/01 | Neon Lamp, 220/250 volts. Philips Type GL42M or equivalent | 15 | | |
| | 71329/02 | Neon Lamp, 110/125 volts. Philips Type GL15M or equivalent | 16 | 51858 | Intermediate Wheel |
| | | | 17 | 71311 | Top Plate for Support Bracket |
| 8 | 44249 | Screws, long, for Lever Pivots (2) | | 71314 | Support Bracket with Spindle |
| | 71319 | Pivot Bushes (2) | | 71341 | Lifting Spindle with Support Lever |
| | 40946 | Pivot Washers (2) | | 41696 | Spring Clip |
| | 41012 | Nuts (2) | 18 | 40254 | Screws for Speed Change Unit (3) |
| | 42501 | Spring Washers (2) | | 41012 | Nuts (3) |
| | 40627 | Plain Washer | | 42501 | Spring Washers (3) |
| 9 | 40471 | Screws, for Motor Yoke (3) | | 40627 | Plain Washers (9) |
| | 42520 | Spring Washers (3) | | 71996 | Collars (3) |
| | 40933 | Plain Washers (3) | | 43101 | Grommets (3) |
| 10 | 71284 | Pivot, for Magnet Carrier | 19 | 41670 | Tension Spring, retracting Intermediate Wheel |
| | 41006 | Nut | | | |
| | 42520 | Spring Washer | 20 | 71273 | Brake Disc |
| 11 | 43842 | Spring Clip | | 72090 | Collar, for Disc, with Screws |
| 12 | 71284 | Magnet with Carrier | | 71346 | Screws, for collar (3) |

spare parts list

| Ref. No. | Garrard Part No. | Description of Part | Ref. No. | Garrard Part No. | Description of Part |
|----------|------------------|---|----------|------------------|--|
| | 71898 | 50 cycle Pulley with Collar and Screws | | 42501 | Spring Washers (2) |
| | 71899 | 60 cycle Pulley with Collar and Screws | | 52493 | Thrust Pad |
| 21 | 71761 | Turntable Spindle only | 31 | 60542 | Lead and Switch Assembly complete with Suppressors |
| | 51888 | Spring Clip, for Spindle | | | |
| 22 | 40151 | Screws, for Turntable Spindle Housing (3) | 32 | 53110/02 | Earth Lead |
| | 41006 | Nuts (3) | | 40182 | Screw |
| | 42520 | Spring Washers (3) | | 41012 | Nut |
| 23 | 71765 | Turntable Spindle complete with Housing | | 42501 | Spring Washer |
| | 40776 | Felt Pad | 33 | 43000 | Solder Tag |
| | 40064 | Screw for Oil-hole | 34 | 71253 | Top Mounting Plate, with Pillars |
| | 40858 | Plain Washer | 35 | 71257 | Bottom Mounting Plate Assembly |
| 24 | 44034 | Screws for Control Plate (6) | 35 | 41639 | Tension Spring, for Bottom Mounting Plate |
| 25 | 71254 | Speed Change Lever Assembly | 36 | 40182 | Screws (3) |
| 26 | 71900 | Brake Pad Lever with Pad | | 42501 | Spring Washers (3) |
| 27 | 40055 | Screws for Brake Pad Lever | | 40501 | Plain Washers (3) |
| | 40519 | Plain Washers (2) | 37 | 51834 | Lifting Cam |
| 28 | 41788 | Spring Clip | | 40018 | Screw |
| | 40678 | Plain Washer | | 41006 | Nut |
| 29 | 41737 | Spring Support | 38 | 54982 | Cover for Voltage Changeover Block |
| | 40132 | Screw | 39 | 40443 | Stud |
| | 41061 | Nut | | 41012 | Nuts (3) |
| | 42501 | Spring Washer | | 42501 | Spring Washer |
| | 72002 | Cable Clip | | 40627 | Plain Washer |
| 30 | 51802 | Thrust Plate for Turntable Spindle | 40 | 72111 | Voltage Changeover Block, complete with Cover |
| | 52075 | Gasket | | 60135 | Voltage Changeover Block Body |
| | 40132 | Screws, for Thrust Plate (2) | | 54926 | Wire Links (2) |

| Ref. No. | Garrard Part No. | Description of Part | Ref. No. | Garrard Part No. | Description of Part |
|----------|------------------|---|----------|------------------|---------------------------------|
| 41 | 51875 | Mounting Plate | | 41761 | Spring Clips (2) |
| 42 | 50564 | Lead Clip | 49 | 44797 | Tension Spring for Switch Lever |
| | 40182 | Screw | 50 | 71319 | Lever Pivot Bushes (3) |
| | 41012 | Nut | | 40946 | Lever Pivot Washers (3) |
| | 42501 | Spring Washer | 51 | 71255 | On/Off Lever Linkage |
| 43 | 71325 | Tension Springs for Motor, Short (3) | 52 | 72593 | Switch Bracket Assembly |
| | 71326 | Tension Springs for Motor, Long (3) | | 40350 | Screw |
| 44 | 71275 | Pins for Springs (12) | | 42526 | Washer |
| | 41761 | Spring Clips (24) | 53 | 73011 | Cover, for Switch |
| 45 | 71262 | Yoke, for Motor | | 44220 | Screw, for Cover |
| 46 | 60543 | Motor, complete with Yoke and Changeover Block and Loom | | 42526 | Washer |
| | 60120 | Motor, with Changeover Block and Loom | 54 | 41506 | Tension Spring for Catch Lever |
| | 60132 | Top Cover, with Bearing | | 40627 | Plain Washer |
| | 60131 | Bottom Cover, with Bearing | | 43000 | Anchor Tag |
| | 43210 | Thrust Ball for Bottom Bearing | | 40021 | Screw |
| | 60206 | Stator, complete with Coils | 55 | 44248 | Screws for Controls (3) |
| | 60204 | Stator Coils only (2) | | 40836 | Plain Washers (3) |
| | 60212 | Rotor, with Spindle | | 42520 | Spring Washers (3) |
| | 60211 | Collar for Rotor | 56 | 71256 | Speed Adjusting Lever Unit |
| | 60110 | Studs for Motor Covers (2) | 57 | 71331 | Reflector, with Housing |
| | 41012 | Nuts (4) | | 71332 | Fibre Shield |
| | 42501 | Spring Washers (4) | | 44028 | Screws, for Housing (2) |
| 47 | 53580 | Transit Clamping Plate | | 71333 | Window |
| 48 | 44251 | Screws for Clamping Plate (2) | | | |
| | 44863 | Compression Springs (2) | | | |
| | 55396 | Collars (2) | | | |

The following items are also available, but not indicated on the diagram:—

- 71251/01 Turntable, with Mat and Centre Trim Disc
(50 c/s)
- 71281/01 Turntable only (50 c/s)
- 71251/02 Turntable, with Mat and Centre Trim Disc
(60 c/s)
- 71281/02 Turntable only (60 c/s)
- 71689 Turntable Mat and Centre Trim Disc
- 59602/08 Adaptor, for large centre hole records, with
Spring Clip
- 55743 Bottle of lubricating oil
- 72001 Studs, fixing Base Plate, with Spring Clips
(4)
- 41058 Nuts, for Studs (4)
- 40678 Plain Washers, for Studs (4)
- 40962 Rubber Washers, for Studs (4)
- 71864 Resistor, for Neon Lamp Lead. 5,600 ohms
 $\frac{1}{2}$ watt $\pm 10\%$
- 71980 Conversion Kit; from 50 c/s, 220/250 volts,
to 60 c/s, 110/125 volts, comprising
Turntable, Motor Pulley and Neon Lamp.
- 71979 Conversion Kit; from 60 c/s, 110/125 volts,
to 50 c/s, 220/250 volts, comprising
Turntable, Motor Pulley and Neon Lamp.

Note (from page 10)

If your unit is fitted with a neon lamp which illuminates the stroboscopic turntable directly, the references to the neon lamp and its housing made in this booklet are not applicable.

If ever you require a lamp for your unit, lift it from its location at the front of the unit sufficiently to note its type number and quote this to our Spares Department. Fitting instructions are supplied with the new lamp.

www.radio-workshop.co.uk

Garrard