

KOLSTER-BRANDES**Model LG30**

General Description : Five-valve (including rectifier), three-waveband, three-speed auto-radiogramophone with Acos turn-over pick-up and Garrard record unit.

Power Supply : A.C. mains, 200–250 volts, 50 c/s. Consumption, radio 50 watts, gramophone 65 watts.

Wavebands : L.W. 880–2100 m.; M.W. 187–570 m.; S.W. 16.3–51 m.

Valve Analysis : Approximate readings taken with set on M.W. under no-signal conditions.

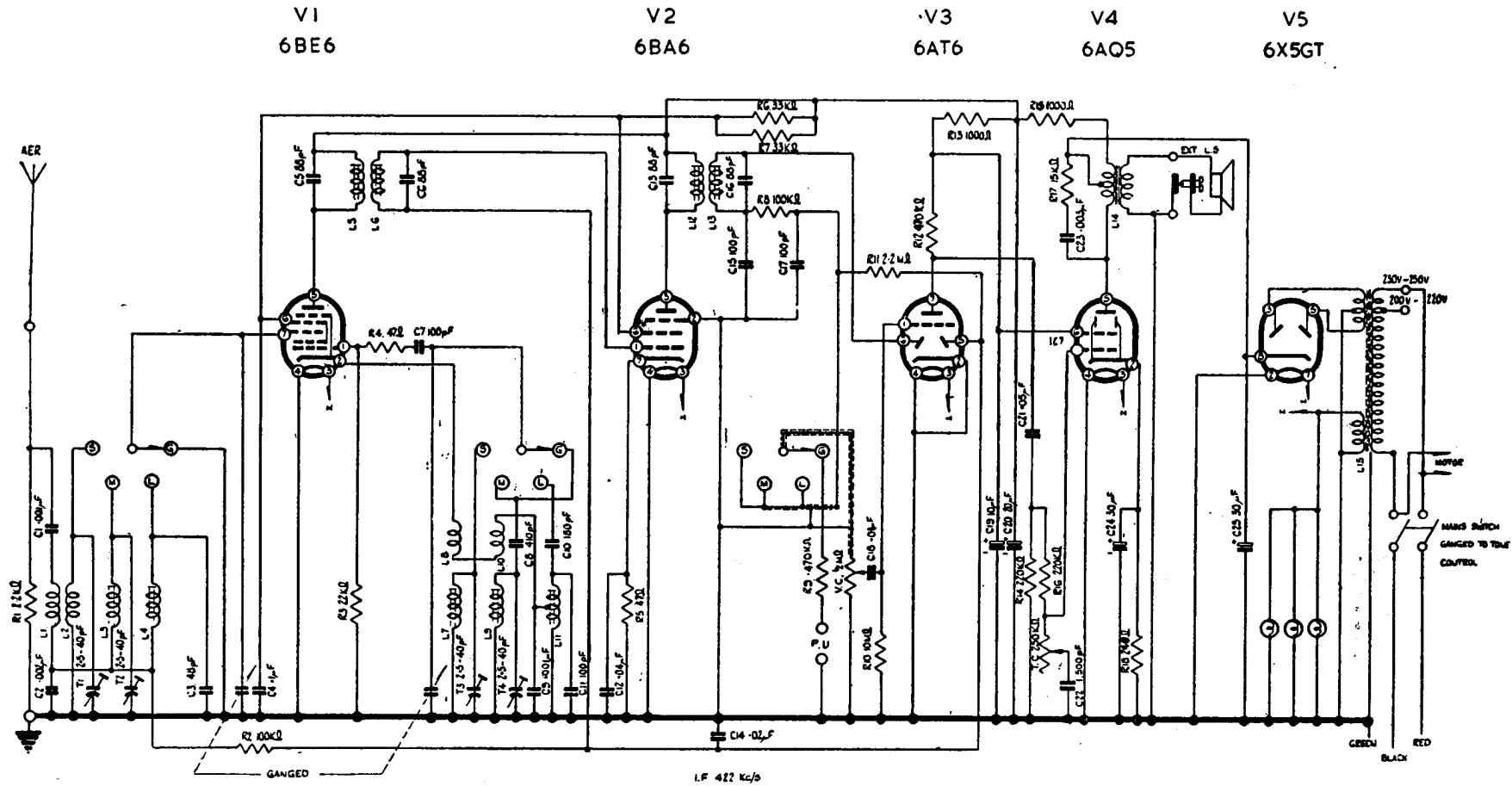
<i>Valve</i>	<i>Pin 1</i>	<i>Pin 2</i>	<i>Pin 3</i>	<i>Pin 4</i>	<i>Pin 5</i>	<i>Pin 6</i>	<i>Pin 7</i>	<i>Pin 8</i>
V ₁ 6BE6 .	SN	—	6.3*	—	240	87	SN	—
V ₂ 6BA6 .	SN	—	6.3*	—	240	87	0.5	—
V ₃ 6AT6 .	SN	—	6.3*	—	SN	SN	50	—
V ₄ 6AQ5 .	—	12	6.3*	—	250	240	—	—
V ₅ 6X5GT	260	6.3*	250*	—	250*	—	—	275

* A.C. measurement. SN=slightly negative. Total H.T. current 62 mA.
Total mains current 200 mA.

Alignment Procedure : The operations for each waveband should be successively repeated until scale accuracy and maximum sensitivity have been achieved. The four trimmers when viewed from above the chassis appear in the order: T₂, T₁, T₄ and T₃. Operations must be carried out in the order indicated.

<i>Operation</i>	<i>Circuit</i>	<i>Signal Generator</i>	<i>Set Pointer</i>	<i>Adjust for Maximum Output</i>
1	I.F.	422 kc/s. to grid of V ₁ via 0.1 μF.	M.W. datum	L ₁₃ , L ₁₂ , L ₅ , L ₆
2	M.W.	600 kc/s. to aerial socket via dummy aerial	500 m.	L ₁₀ , L ₉
3	M.W.	1400 kc/s. as (2)	214 m.	T ₄ , T ₂
4	L.W.	225 kc/s. as (2)	1333 m.	L ₁₁ , L ₄
5	S.W.	6 Mc/s. as (2)	50 m.	L ₈ , L ₇
6	S.W.	15 Mc/s. as (2)	20 m.	T ₃ , T ₁

The tuning gang should be rocked slightly for maximum gain whilst finally adjusting the aerial trimmers.



CIRCUIT DIAGRAM—K-B MODEL LG30

KOLSTER-BRANDES