

**MARCONIPHONE****1954 RANGE**

Annotated circuit diagrams for the range of Marconiphone receivers introduced in August 1954 are given in the following pages. These cover Models T36AB, T37DA, T38A, TARG39A, ARG40A, and ARG41A.

**MODEL T36AB**

**General Description :** Five-valve (including rectifier), two-waveband portable radio receiver in grey imitation lizard-skin attaché case for A.C./battery operation.

**Power Supplies :** A.C. mains, 200/230/250 volts. H.T. battery 90 volts; L.T. battery 7.5 volts.

**Valves :** (V1) X18; (V2) W17; (V3) ZD17; (V4) N19; (V5) U142.

**Intermediate Frequency :** 470 kc/s.

**MODEL T37DA ("COMPANION")**

**General Description :** Five-valve (including rectifier), two-waveband transportable radio receiver in plastic cabinet with built-in frame aerial.

**Power Supply :** A.C./D.C. mains, 205/225/245 volts.

**Valves :** (V1) X142; (V2) W142; (V3) DH142; (V4) N142; (V5) U142.

**Intermediate Frequency :** 470 kc/s.

**MODEL T38A**

**General Description :** Five-valve (including rectifier), three-waveband table receiver in wooden cabinet.

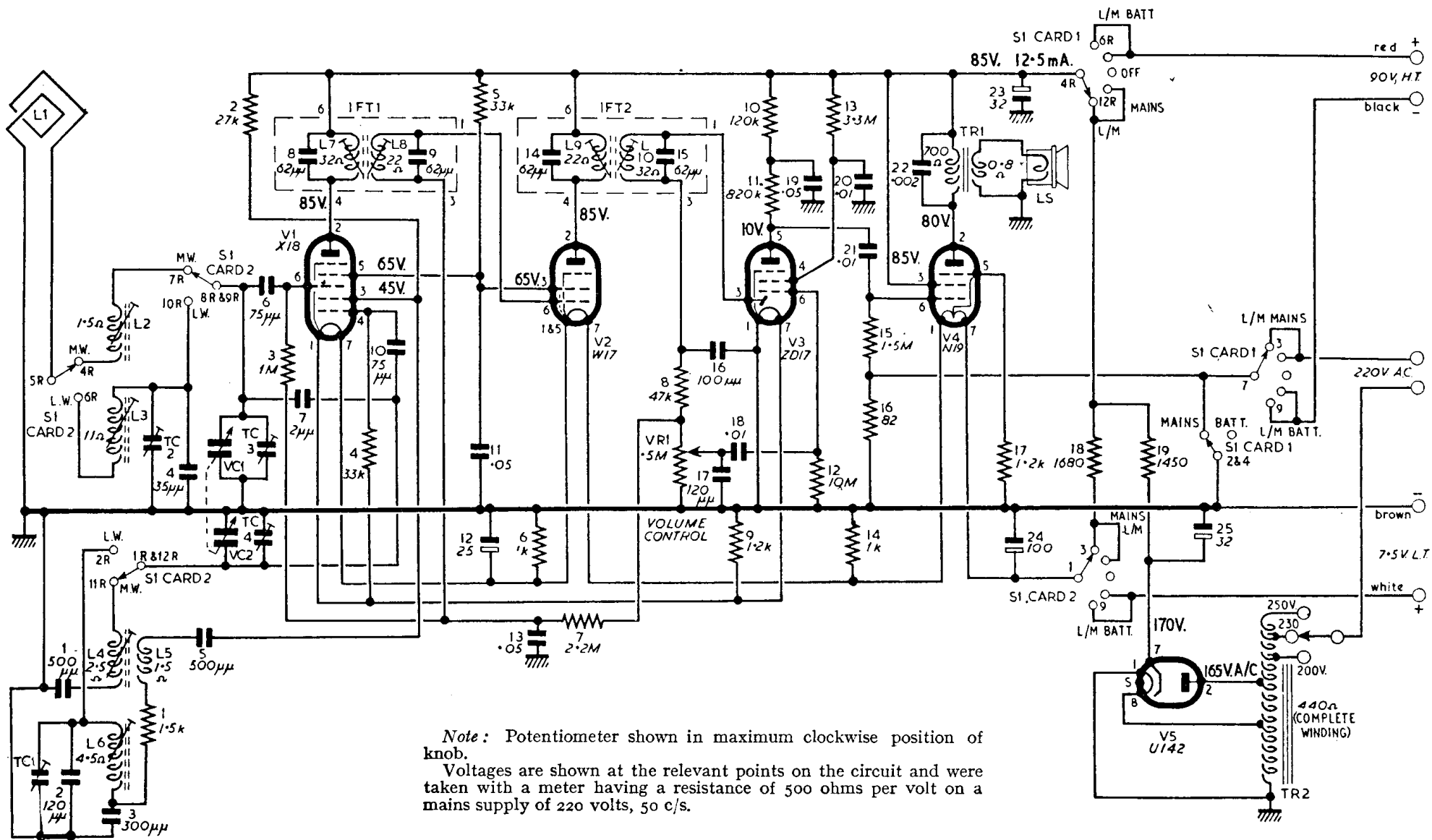
**Power Supply :** A.C. mains, 195-255 volts.

**Valves :** (V1) X148; (V2) W148; (V3) DH149; (V4) N148; (V5) U149.

**Intermediate Frequency :** 470 kc/s.

**MODELS TARG39A, ARG40A AND ARG41A**

**General Description :** These models use a similar radio chassis to Model T38A. Model TARG39A is an auto-change, three-speed table radio-gramophone. Models ARG40A and ARG41A are fitted with three-speed auto-change record-playing mechanism with turnover pick-ups.

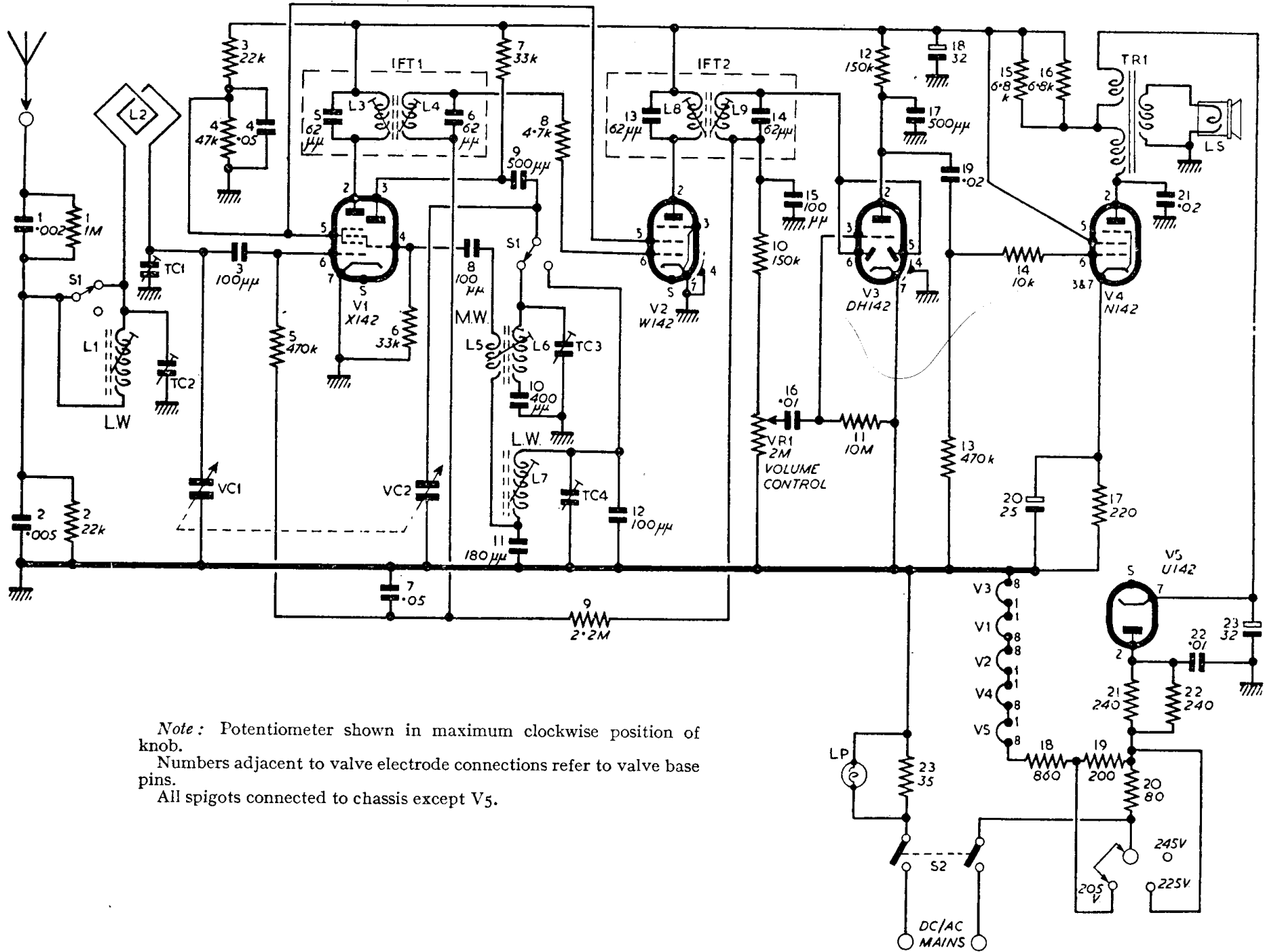


Note: Potentiometer shown in maximum clockwise position of knob.  
 Voltages are shown at the relevant points on the circuit and were taken with a meter having a resistance of 500 ohms per volt on a mains supply of 220 volts, 50 c/s.

CIRCUIT DIAGRAM—MARCONIPHONE MODEL T36AB

MARCONIPHONE

CIRCUIT DIAGRAM—MARCOPHONE MODEL T37DA



Note: Potentiometer shown in maximum clockwise position of knob.  
 Numbers adjacent to valve electrode connections refer to valve base pins.  
 All spigots connected to chassis except V5.

