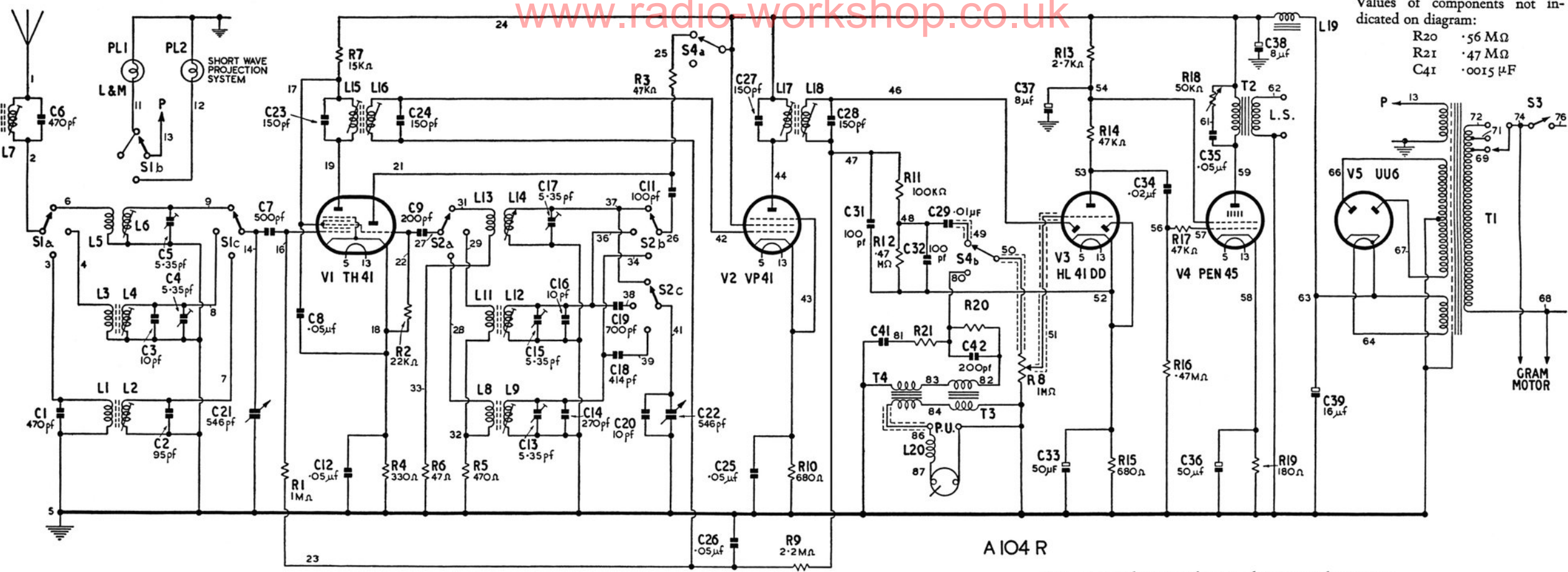


www.radio-workshop.co.uk



Values of components not indicated on diagram:
 R20 .56 MΩ
 R21 .47 MΩ
 C41 .0015 μF

A104R

Component values are subject to alteration without notice.

TYPICAL COIL RESISTANCES (20% TOLERANCE)

COILS	L1	L2	L3	L4	L5	L6	L7	L8	L9	L11	L12	L13	L14	L15	L16	L17	L18	L19	T1 H.T. Sec.	T1 Prim.	P.U. Transformers		Pick-up		
																					T2 Prim.	T2 Sec.		Prim.	Sec.
OHMS	24	14	0.5	2.2	—	—	2.5	0.6	1.8	0.5	1.3	—	—	5.5	5.5	5.5	5.5	265	145 + 150	24 + 3 + 3	280	0.2	150	2	27