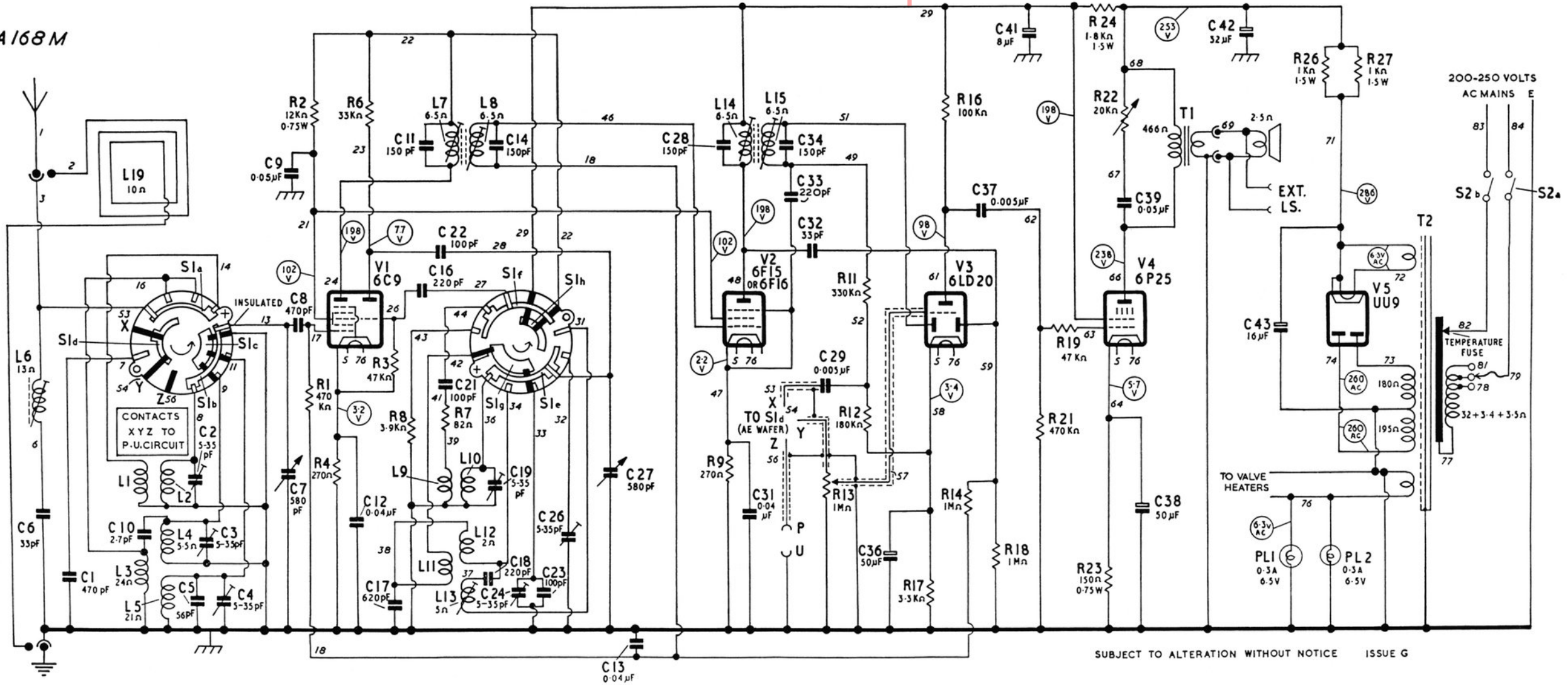


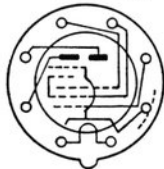
www.radio-workshop.co.uk

A168M

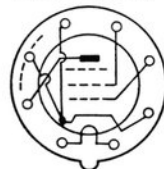


SUBJECT TO ALTERATION WITHOUT NOTICE ISSUE G

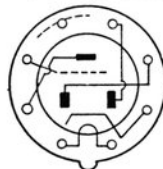
V1 6C9 (B8A)



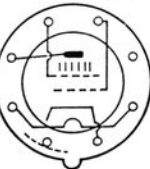
V2 6F16 (B8A)



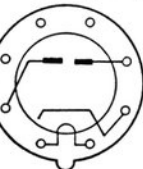
V3 6LD20 (B8A)



V4 6P25 (I.O)



V5 UU9 (B8A)



All voltages were measured under no-signal conditions on the "M" band, using a 20,000 ohm/volt meter. In those cases where the resistance of a coil is omitted, the value is less than one ohm. The wave band switch (S1a-S1h) is shown in the short wave position and the wafers are drawn as seen from the rear of the chassis. Rotate anti-clockwise for medium wave, long wave, and gramophone.

The black contacts and inner rotors are on the hidden sides of the wafers and the lugs marked with a cross are the nearer to V1 holder.

Some of the earliest sets were wired for a 6F15 only as V2; for details see "Modifications" on page 7.

Fig. 7.