

CIRCUIT DIAGRAM

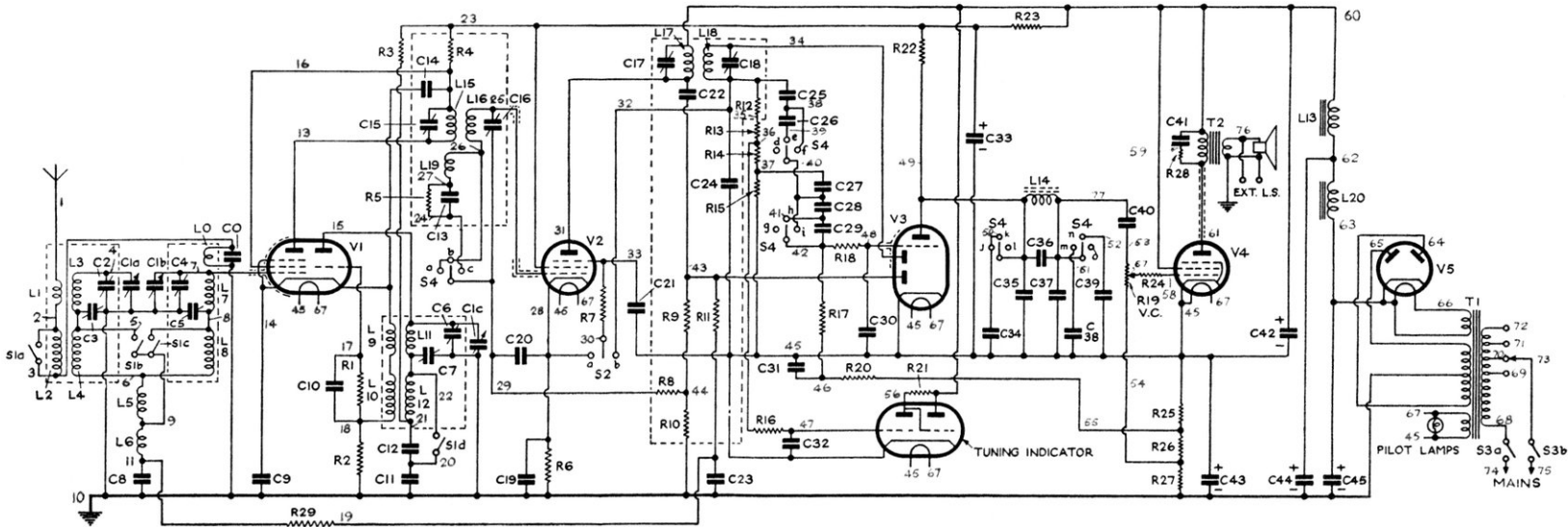


TABLE OF VOLTAGES

COMPO- NENT	TYPE	ELECTRODE	TEST POINT	IN SQUARE	VOLTAGE				
					No Signal	Strong Signal			
V1	Mazda AC/TP	Pentode Anode	13	14 H	153	200			
		Screen	16	14 H	153	216			
		Cathode	14	15 G	4	1.5			
		Triode Anode	15	15 G	80	80			
V2	Mazda AC/VP2	Anode	31	11 J	236	250			
		Screen	23	11 K	200	213			
		Cathode	28	11 K	2	1			
V3	Mazda AC/HLDD	Anode	49	6 J	118	132			
		Cathode	45	6 J	16	17			
V4	Mazda AC/4 Pen	Anode	61	3 J	224	238			
		Screen	60	4 J	236	250			
		Cathode	45	3 J	16	17			
V5	Mazda UU4	Cathode	63	2 G	334	340			
		Tuning Indicator	Mazda AC/ME	Anode	56	27 V	32	34	
					Anode	60	26W	236	250
					Cathode	45	26 V	16	17