

www.radio-workshop.co.uk

A 96

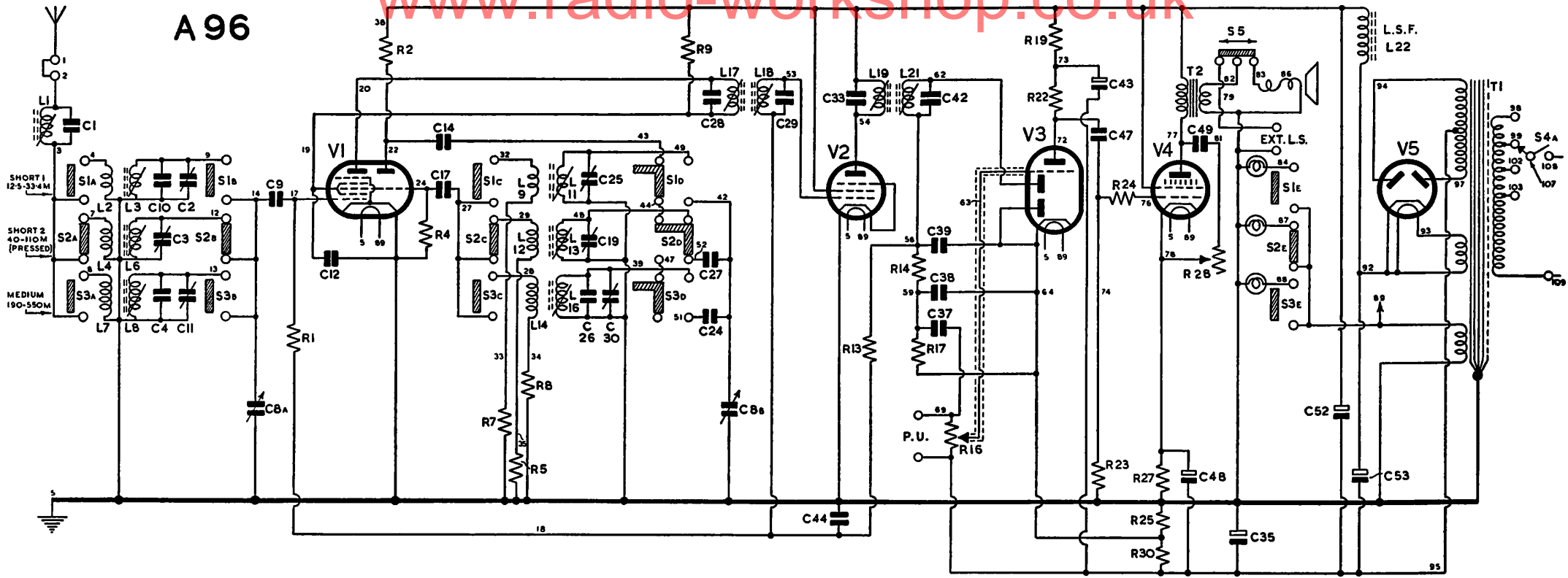


TABLE OF COMPONENTS

Code	Value	Test Point	Square	Code	Value	Test Point	Square	Code	Value	Test Point	Square	Code	Value	Test Point	Square	Code	Value	Test Point	Square
C.1	500 pf.	2- 3	22 P	C.33	139 pf.	38-54	6 B	R.8	470Ω	5-34	17 F	L.6	*	5-12	19 A	T.I.			
C.2	5-35 pf. (Preset)	5- 9	7 L	C.35	50 μf. (12 V.W.)	5-95	16 L	R.9	9,100Ω 1 Watt	19-38	20 L	L.7	1Ω	5- 8	17 A	Prim			
C.3	5-35 pf. (Preset)	5-12	5 L	C.37	.005 μf. (Mica)	59-69	18 L	R.13	2.2 MΩ	18-58	17 L	L.8	2.5Ω	5-13	17 A	C-115v.	5Ω	109-103	3 D
C.4	20 pf.	5-13	16 B	C.38	100 pf.	59-64	16 L	R.14	100,000Ω	58-59	17 L	L.9	*	32-33	20 F	C-210v.	15Ω	109-102	3 D
C.8a	500 pf. (Variable)	5-14	23 E	C.39	100 pf.	58-64	17 M	R.16	1 MΩ	69-95	15 D	L.11	*	5-49	20 F	C-230v.	18Ω	109- 99	3 D
C.8b	500 pf. (Variable)	5-42	23 D	C.42	150 pf.	58-62	5 C	R.17	470,000Ω	59-64	16 L	L.12	*	35-29	19 F	C-250v.	20Ω	109- 88	3 D
C.9	500 pf.	14-17	21 L	C.43	8 μf.	73-95	18 J	R.19	10,000Ω	38-73	15 L	L.13	*	5-48	19 F	H.T. Sec.	150Ω	94- 95	3 D
C.10	10 pf.	5- 9	20 A	C.44	.05 μf.	5-18	17 L	R.22	47,000Ω	72-73	15 L	L.14	2Ω	34-28	17 F		160Ω	97- 95	3 D
C.11	5-35 pf. (Preset)	5-13	4 L	C.47	.005 μf (Mica)	72-74	15 L	R.23	1 MΩ	5-74	14 L	L.16	1.5Ω	5-39	17 F				
C.12	.002 μf. (Minimum)	5-19	23 K	C.48	50 μf. (12 V.W.)	78-95	14 L	R.24	47,000Ω	74-76	15 M	L.17	5.5Ω	19-20	10 B	T.2			
C.14	100 pf.	22-43	22 M	C.49	.04 μf. (Type 1619)	77-81	13 L	R.25	47Ω	5-64	15 M	L.18	5.5Ω	18-53	10 B	Prim	270Ω	38-77	11 G
C.17	200 pf.	24-27	22 L	C.52	8 μf.	38-95	18 J	R.27	200Ω ½ Watt	5-78	14 L	L.19	5.5Ω	38-54	6 B	Sec.	*	5-82	—
C.19	5-35 pf. (Preset)	5-48	5 J	C.53	16 μf.	92-95	18 J	R.28	50,000Ω	81-78	14 J	L.21	5.5Ω	58-62	6 B	L.S. Speech			
C.24	700 pf.	42-51	16 D					R.30	27Ω	64-95	16 K	L.22	2,300Ω	38-92	L.S.F.	Coil	2.5		
C.25	5-35 pf.	5-49	7 J	R.1	1 MΩ	17-18	21 L												
C.26	20 pf.	5-39	16 F	R.2	33,000Ω 1 Watt	22-38	22 L	L.1	2.5Ω	2- 3	22 P								
C.27	2,650 pf.	42-52	18 D	R.4	22,000Ω	5-24	24 J	L.2	*	4- 5	22 B								
C.28	139 pf.	19-20	11 B	R.5	47Ω	5-35	19 G	L.3	*	5- 9	22 B								
C.29	150 pf.	18-53	9 C	R.7	12Ω	5-33	21 F	L.4	*	5- 7	19 A								

D.C. Resistances of inductances and speech coil are quoted in these tables and where values are less than 1Ω they are indicated by an asterisk.