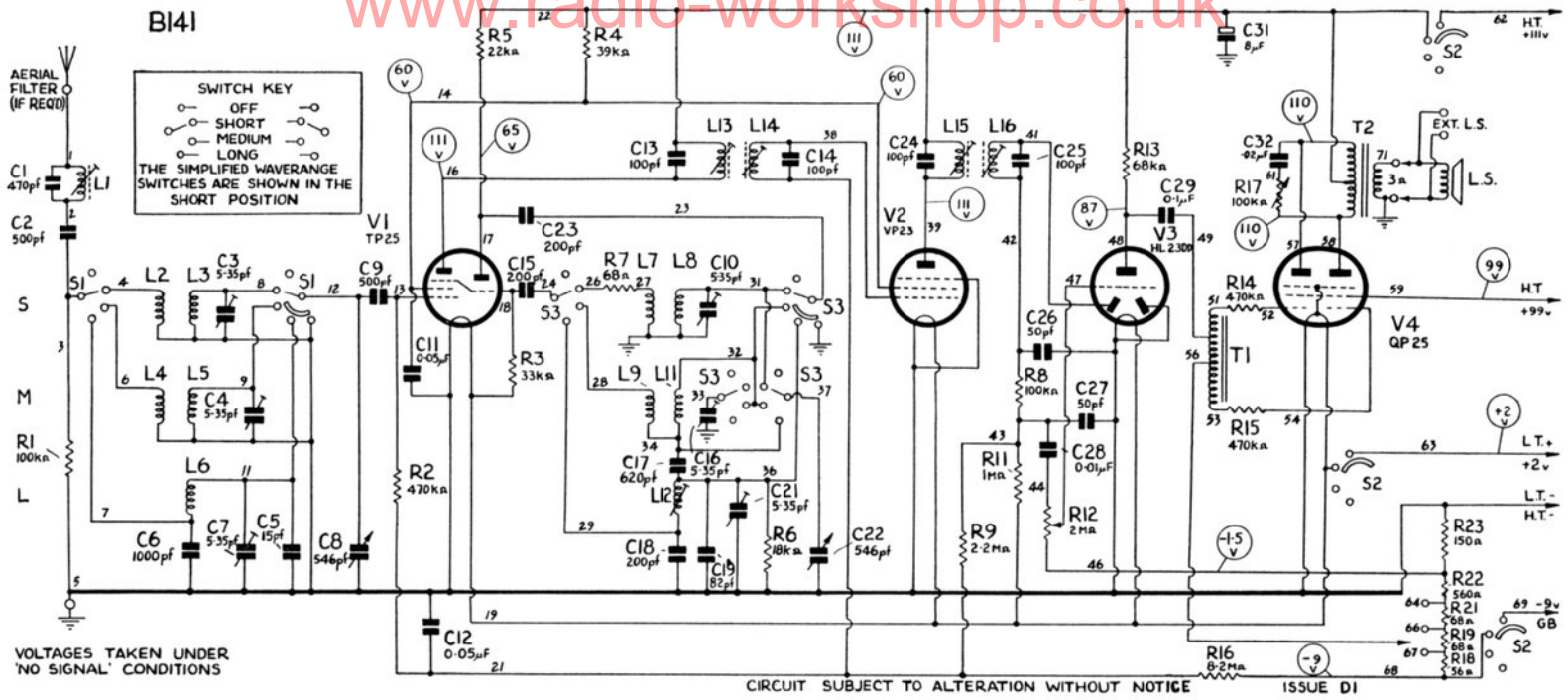
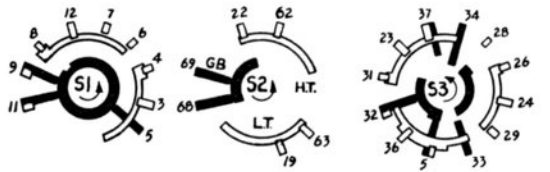


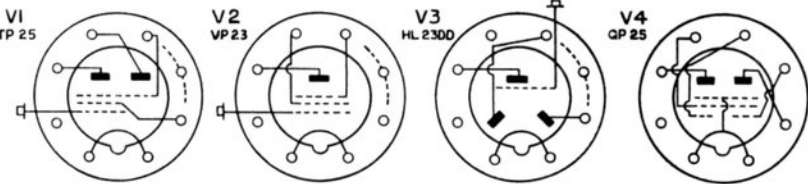
B141



SWITCH WAFERS, AS SEEN FROM REAR OF INVERTED CHASSIS (THE BLACK CONTACTS ARE AT THE REAR OF THE WAFER)



THE VALVE BASES, AS SEEN FROM BELOW THE CHASSIS



THE B141 CIRCUIT DIAGRAM AND COIL AND TRANSFORMER RESISTANCES

The voltages were measured with a 500 Ohms/Volt meter (M.W. band.)

Coil resistances which are not shown in the table are less than 1 Ohm.

COIL	L1	L4	L5	L6	L9	L11	L12	L13	L14	L15	L16	T1 total	T2 pri.
OHMS	3	1.5	4	22	1.5	2	5.5	6.5	6.5	6.5	6.5	1150	600