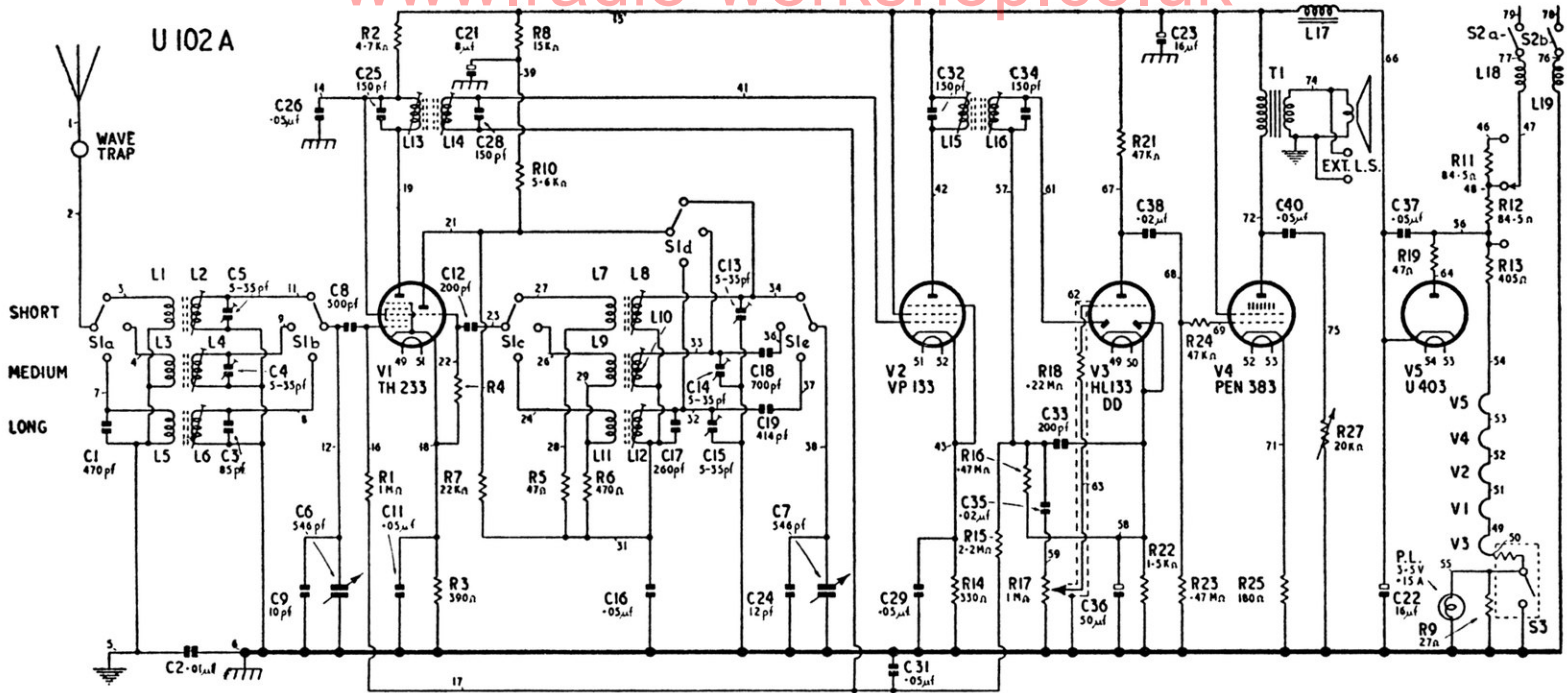


U 102 A



COIL RESISTANCES

Measured with Avometer type 7

COIL	L1	L2	L3	L4	L5	L6	L7	L8	L9	L10	L11	L12	L13
OHMS	—	—	0.5	2.2	24	14.5	—	—	0.5	1.2	0.7	1.7	5.5

COIL	L14	L15	L16	L17 (U102A)	L17 (TU102A)	L18	L19	Tr Pri. (U102A)	Tr Pri. (TU102A)
OHMS	5.5	5.5	5.5	250	120	5.7	5.7	110	75

VOLTAGE TABLE

Measured with Avometer type 7 (no signal conditions)

ELECTRODE	V1	V2	V3	V4	V5
Cathode	4	3.6	1.8	9.5	220
Anode	115	151	80	145	210
Screen	115	152	—	152	—
Osc. Anode	80	—	—	—	—