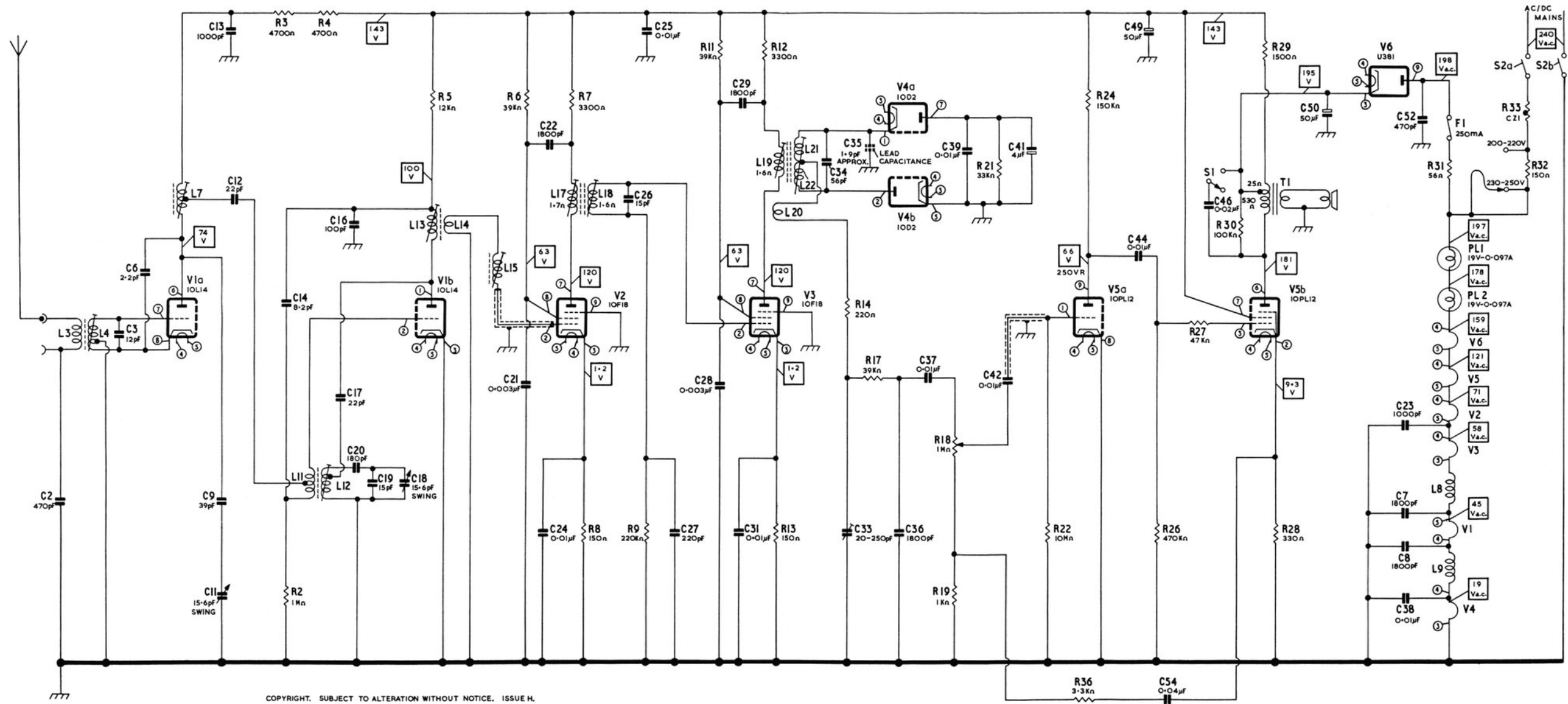


C	2	6	13	12	14	16	17	20	19	18	21	22	24	26	25	27	28	29	31	34	35	37	39	41	49	44	54	46	50	7	8	52	23	C			
L	3	4	7		11	12				13	14	15	17	18	19	20	22																8	9	L		
R				3	4					5	6	7	9	11	12	14	17	18	19	21	22	24	26	27	30	29				31		33	32	R			
MISC				V1a						V1b			V2							V3		V4a	V4b		V5a		S1	T1	V5b		V6	FI	PL1	PL2	S2a	S2b	MISC

U502 & U512



COPYRIGHT. SUBJECT TO ALTERATION WITHOUT NOTICE. ISSUE H.

Circuit voltages are shown within rectangles and were measured with a 20,000 Ω/V meter under no-signal conditions.

Where the resistance of a coil is less than one ohm the value is omitted. The valve pin numbers are shown within small circles.