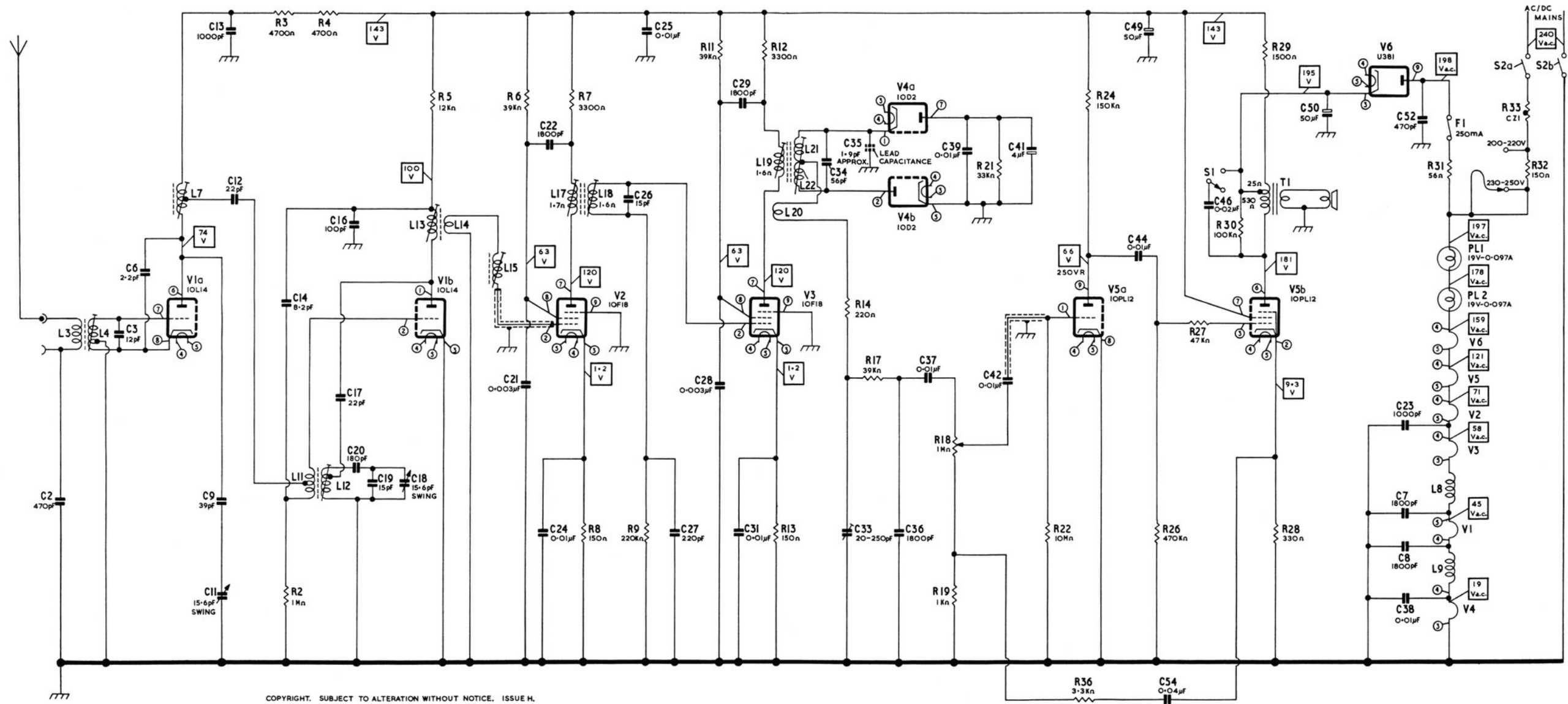


C	2	6	13	12	14	16	17	20	19	18	21	22	24	26	25	27	28	29	31	33	34	35	36	37	39	41	42	44	49	50	52	23	C			
L	3	4	7		11	12				13	14	15	17	18					19	20	21	22										8	L			
R					3	4				5	6	7			9				11	12	14	17	18	19	21	22	24	26	27	30	29		31	33	R	
MISC			V1a							V1b					V2				V3		V4a	V4b			V5a		S1	T1	V5b	V6	FI	PL1	PL2	S2a	S2b	MISC

www.radio-workshop.co.uk

U502 & U512



COPYRIGHT. SUBJECT TO ALTERATION WITHOUT NOTICE. ISSUE H.

Circuit voltages are shown within rectangles and were measured with a 20,000 Ω /V meter under no-signal conditions.

Where the resistance of a coil is less than one ohm the value is omitted. The valve pin numbers are shown within small circles.